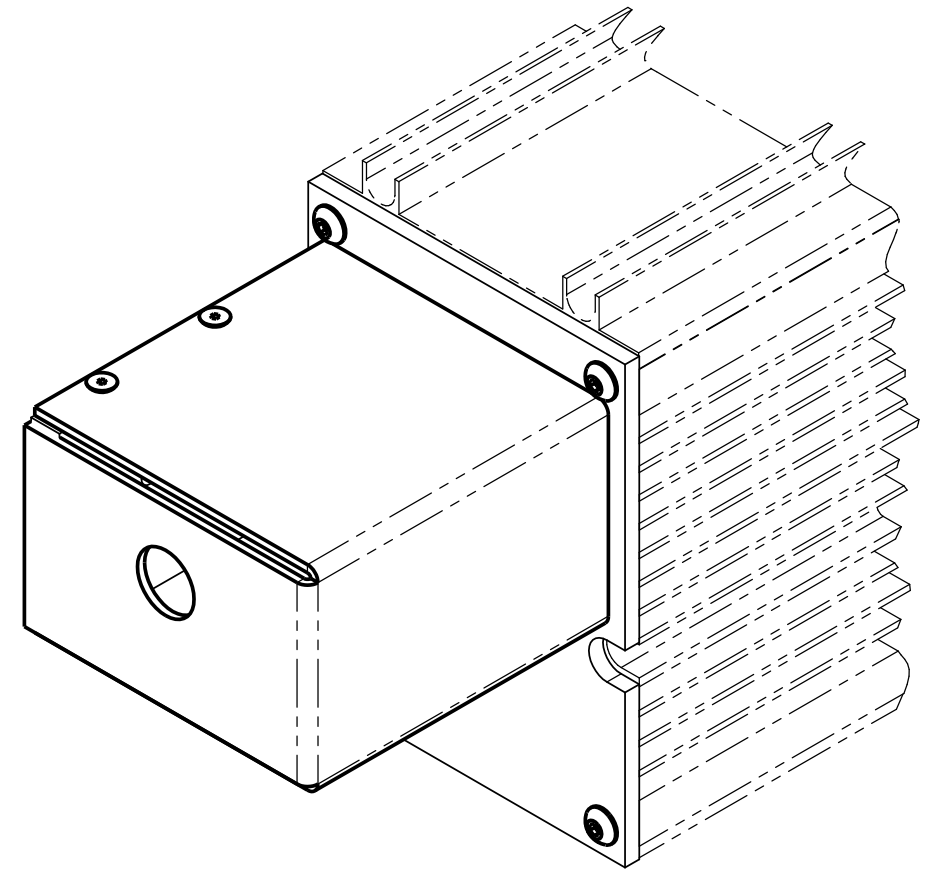
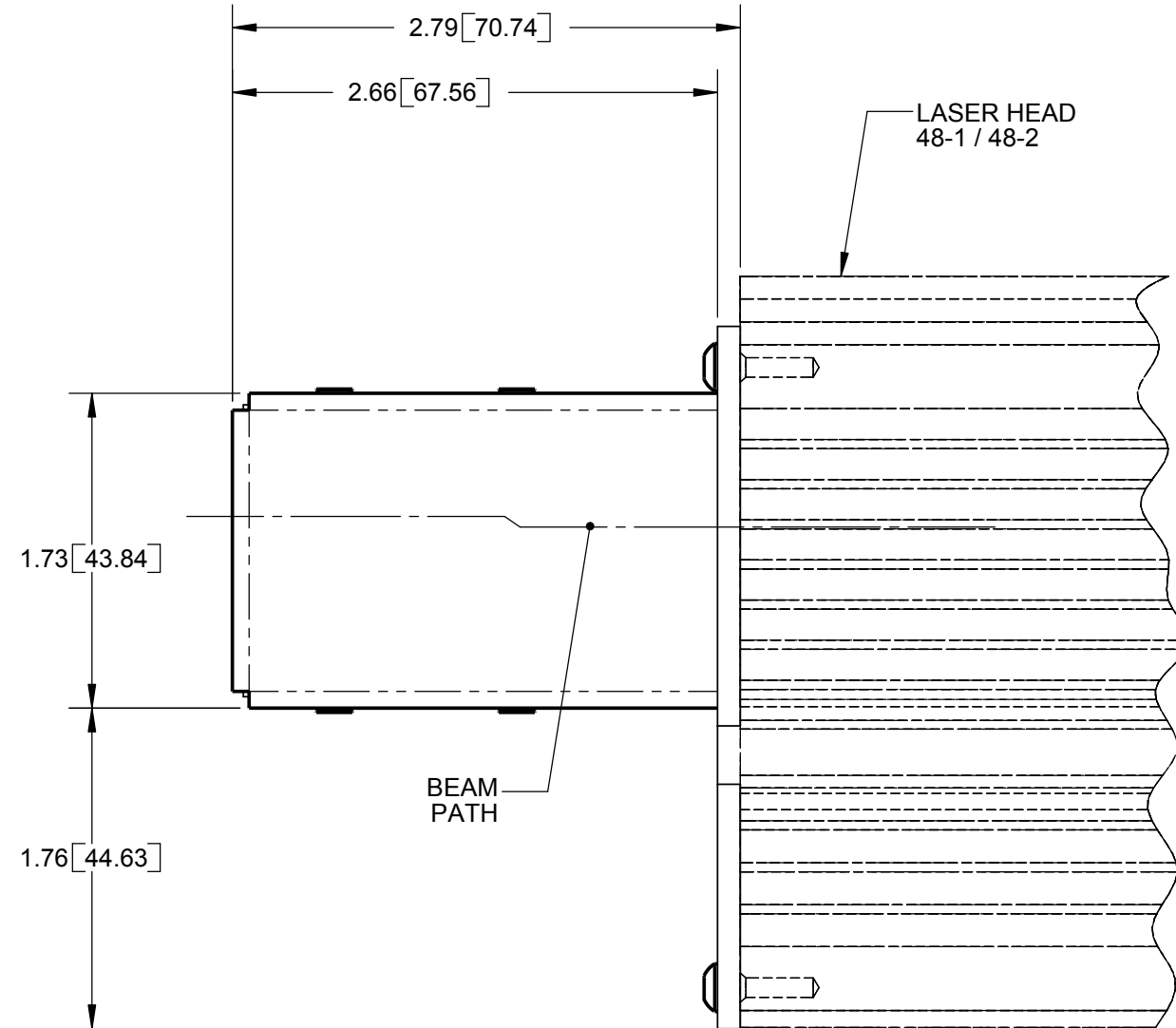
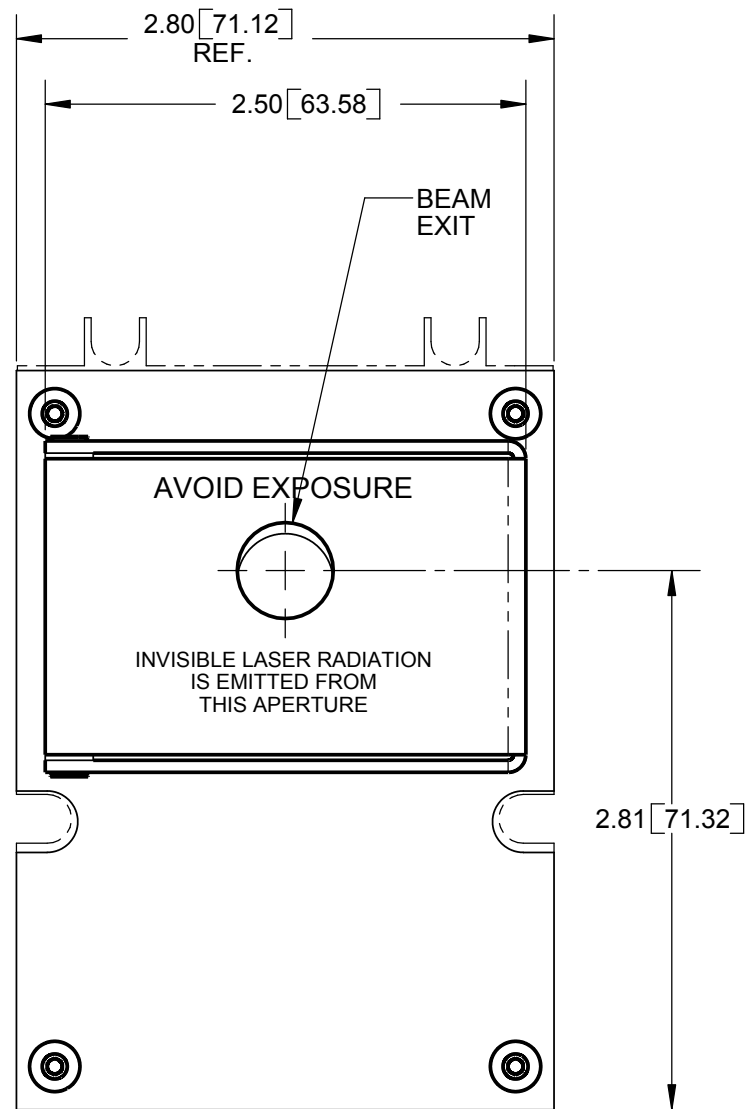



REV	ECO	DATE	DESCRIPTION	DB
A	3107	17-Oct-05	CREATED DRAWING	KOJ



NOTES:  
1. DIMENSIONS IN BRACKETS [ ] ARE MILLIMETERS.

TOLERANCES UNLESS NOTED:		PROPRIETARY THIS DRAWING IS PROPRIETARY TO SYNRAD INC. AND SHALL NOT BE USED OR DISCLOSED IN WHOLE OR IN PART WITHOUT WRITTEN PERMISSION OF SYNRAD INC.		 SYNRAD INC. 4600 Campus Place Mukilteo, WA 98275 Phone: (425)349-3500 Fax: (425)349-3667	
.x = ± 0.1      ANGLE = ± 0.5 °					
.xx = ± 0.01					
.xxx = ± 0.005		DESCRIPTION: <b>OUTLINE &amp; MOUNTING, CLOSED LOOP ADAPTER, 48 SERIES</b>			
MATERIAL:		PART NUMBER: 300-16497-01		DWG/FILE NUMBER: 300-16497-01	
FINISH:		SHEET 1 of 1    ENG: T. GJOLMESLI		DRAWN BY: K. JOHNSON    DATE: 17-Oct-05	
		UNITS: Inches    CATEGORY:		CHECKED BY:    DATE:	
		SIZE: B    FINISH CLASS:		APPROVED BY:    DATE:	