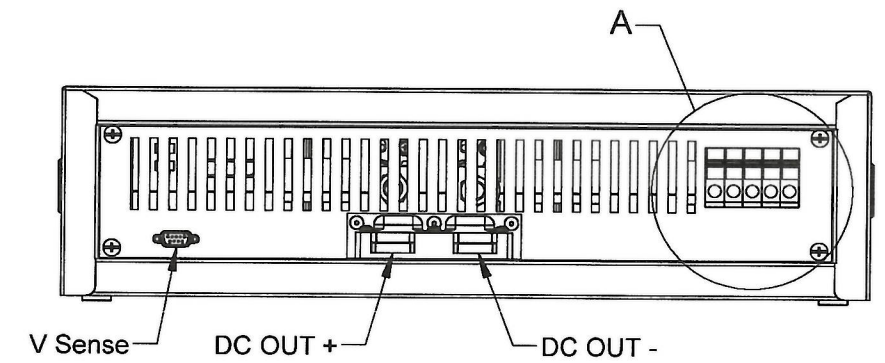
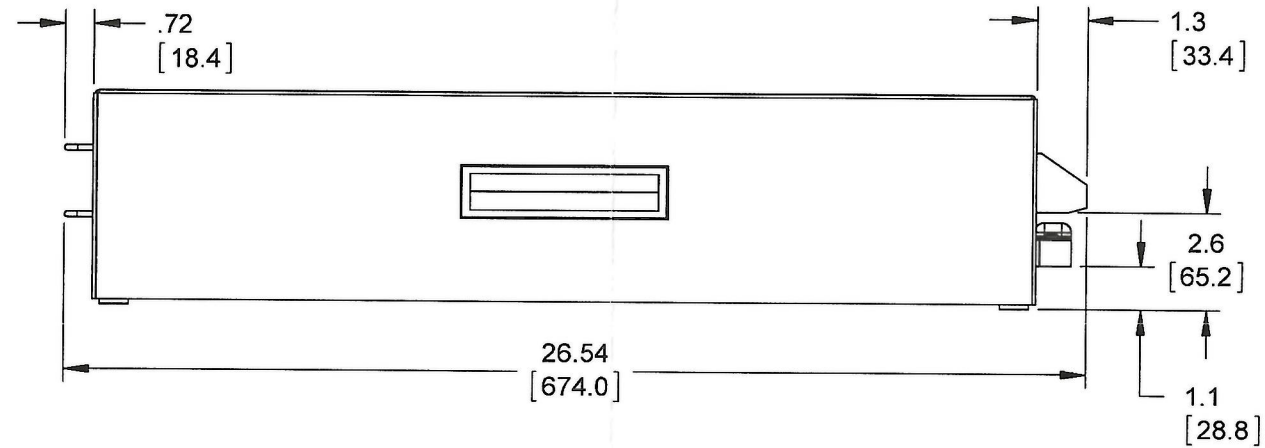
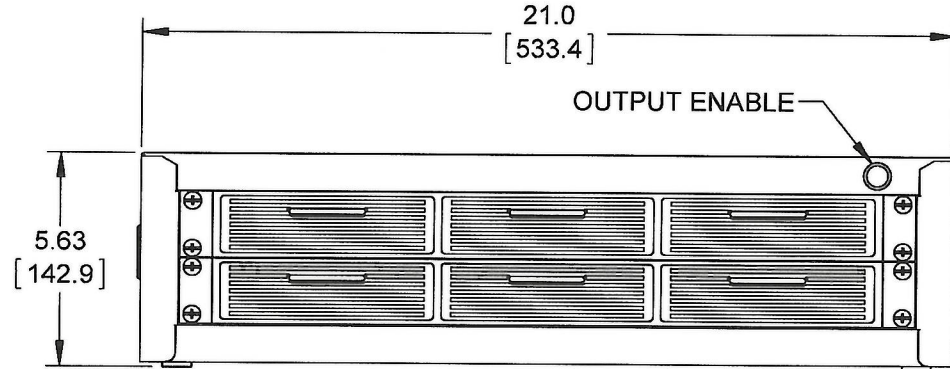
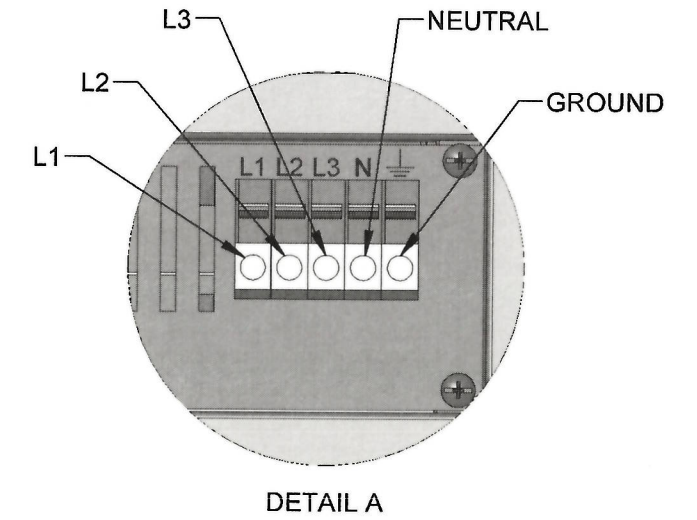



NOTES:

1. MANUFACTURE IN ACCORDANCE WITH SYNRAD DOCUMENT "WORKMANSHIP STANDARD".

REV	DA	ECN	ECO	DATE	DESCRIPTION	DB
A	.	10016	5389	3-Mar-16	RELEASE TO PRODUCTION	DMD
.	.	.	.	.	.	.
.	.	.	.	.	.	.



<b>TOLERANCES UNLESS NOTED:</b> .x = ± .1      ANGLE = ± .5° .xx = ± .01 .xxx = ± .005		 <b>SYNRAD</b> 4600 Campus Place Mukilteo, WA 98275 Phone: (425)349-3500 Fax: (425)349-3667 Synrad, a division of GSI Group Corp.
<b>MATERIAL:</b> . .		
<b>FINISH:</b> . .		<b>DESCRIPTION:</b> <b>OUTLINE &amp; MOUNTING, POWER SUPPLY, 48VDC, 12kW, 2U, 5 INPUT</b>
DRAWN BY: D. DUVALL	DATE: 3-Mar-16	DWG/FILE NUMBER: 300-21022-02
QLTY CHK BY: <i>D. Duvall</i>	DATE: 3/7/16	PART NUMBER: 300-21022-02
ENG CHK BY: <i>John P. [Signature]</i>	DATE: 3/19/16	ENG: HV/RS      SIZE: B      CATEGORY: I
APPROVED BY: <i>[Signature]</i>	DATE: 3/10/16	UNITS: Inches      SHEET 1 of 1      FINISH CLASS: A