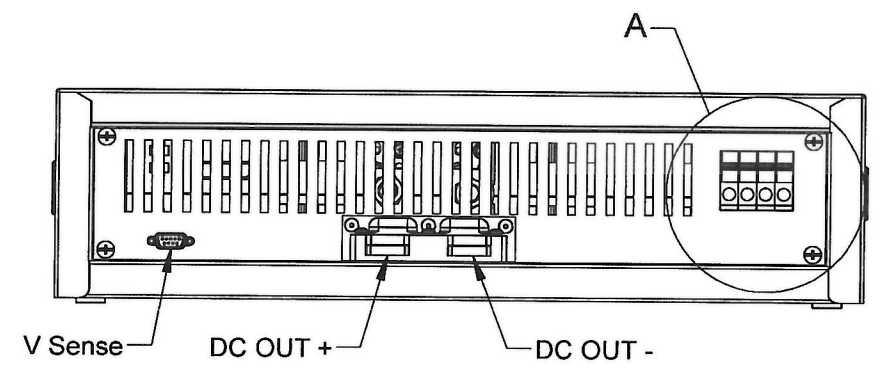
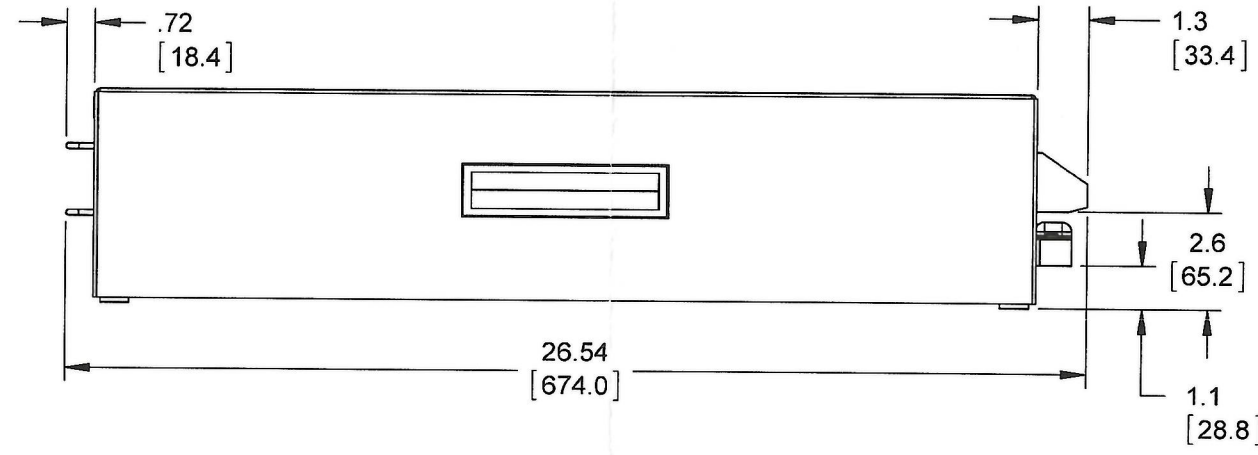
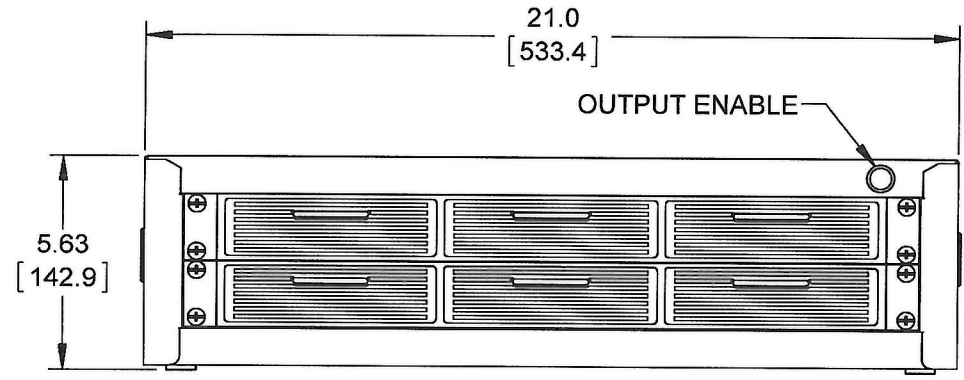
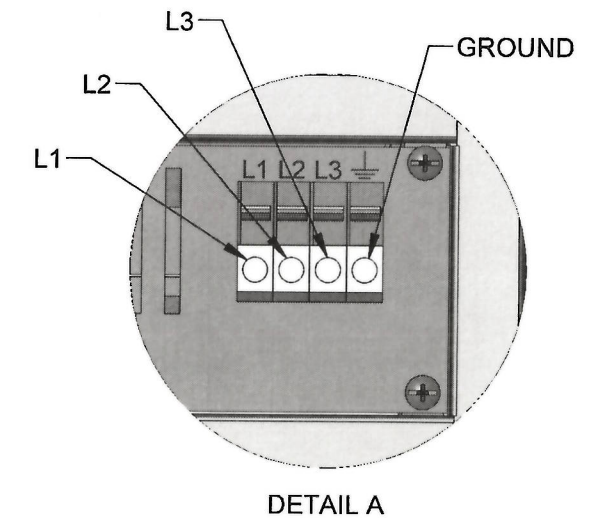



NOTES:

1. MANUFACTURE IN ACCORDANCE WITH SYNRAD DOCUMENT "WORKMANSHIP STANDARD".

REV	DA	ECN	ECO	DATE	DESCRIPTION	DB
A	.	10016	5389	3-Mar-16	RELEASE TO PRODUCTION	DMD
.
.



TOLERANCES UNLESS NOTED: .x = ± .1 ANGLE = ± .5° .xx = ± .01 .xxx = ± .005		PROPRIETARY THIS DRAWING IS PROPRIETARY TO SYNRAD INC. AND SHALL NOT BE USED OR DISCLOSED IN WHOLE OR IN PART WITHOUT WRITTEN PERMISSION OF SYNRAD INC.	 SYNRAD 4600 Campus Place Mukilteo, WA 98275 Phone: (425)349-3500 Fax: (425)349-3667 Synrad, a division of GSI Group Corp.
MATERIAL: . .			
FINISH: . .		DESCRIPTION: OUTLINE & MOUNTING, POWER SUPPLY, 48VDC, 12kW, 2U, 4 INPUT	
DRAWN BY: D. DUVALL		DATE: 3-Mar-16	DWG/FILE NUMBER: 300-21022-01
QLTY CHK BY: <i>[Signature]</i>		DATE: 3/7/16	PART NUMBER: 300-21022-01
ENG CHK BY: <i>[Signature]</i>		DATE: 3/9/16	ENG: HV/RS SIZE: B CATEGORY: I
APPROVED BY: <i>[Signature]</i>		DATE: 3/10/16	UNITS: Inches SHEET: 1 of 1 FINISH CLASS: A REV.: A