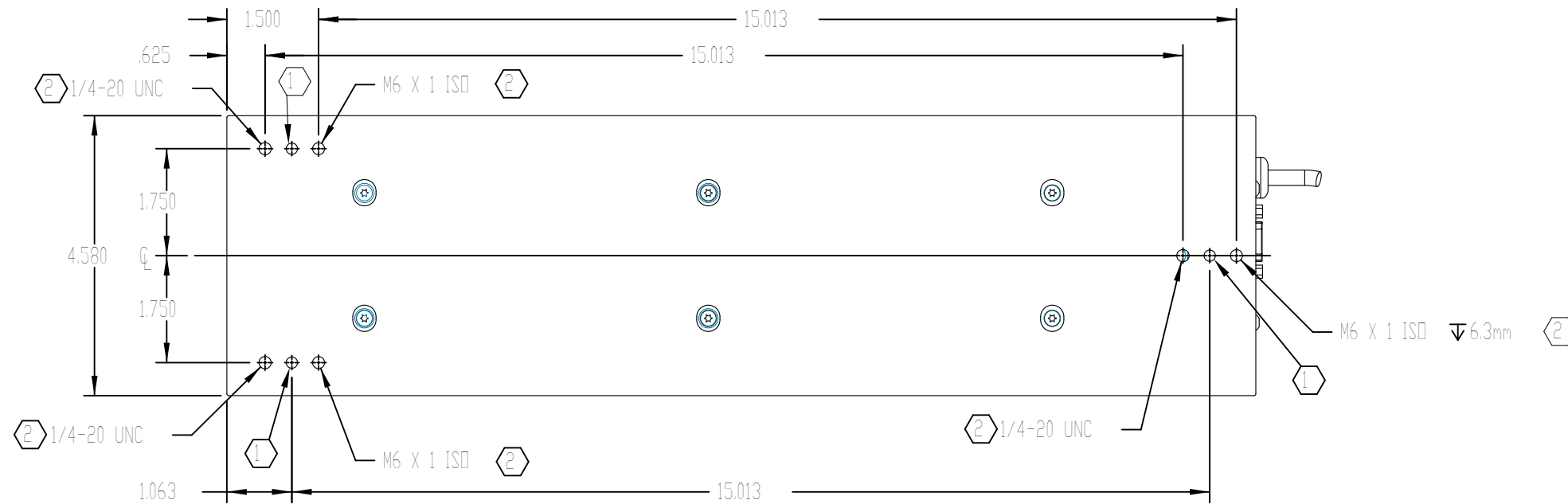
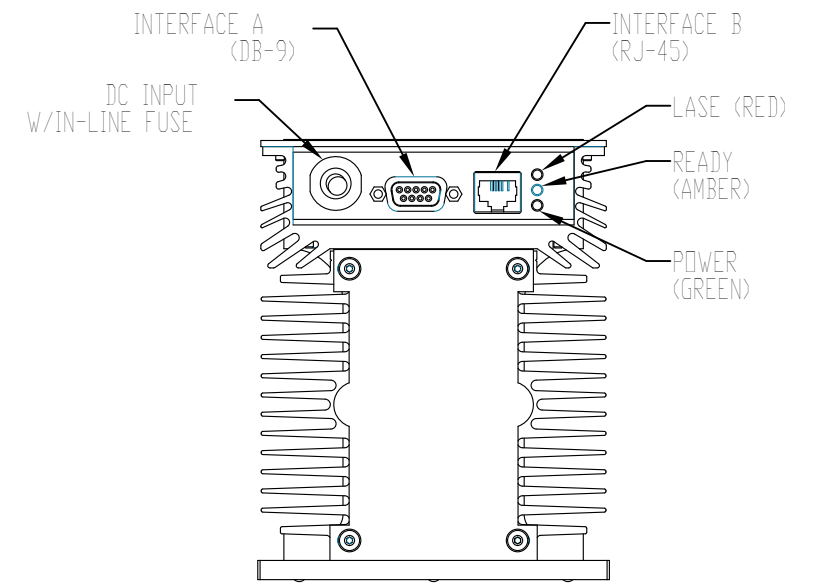
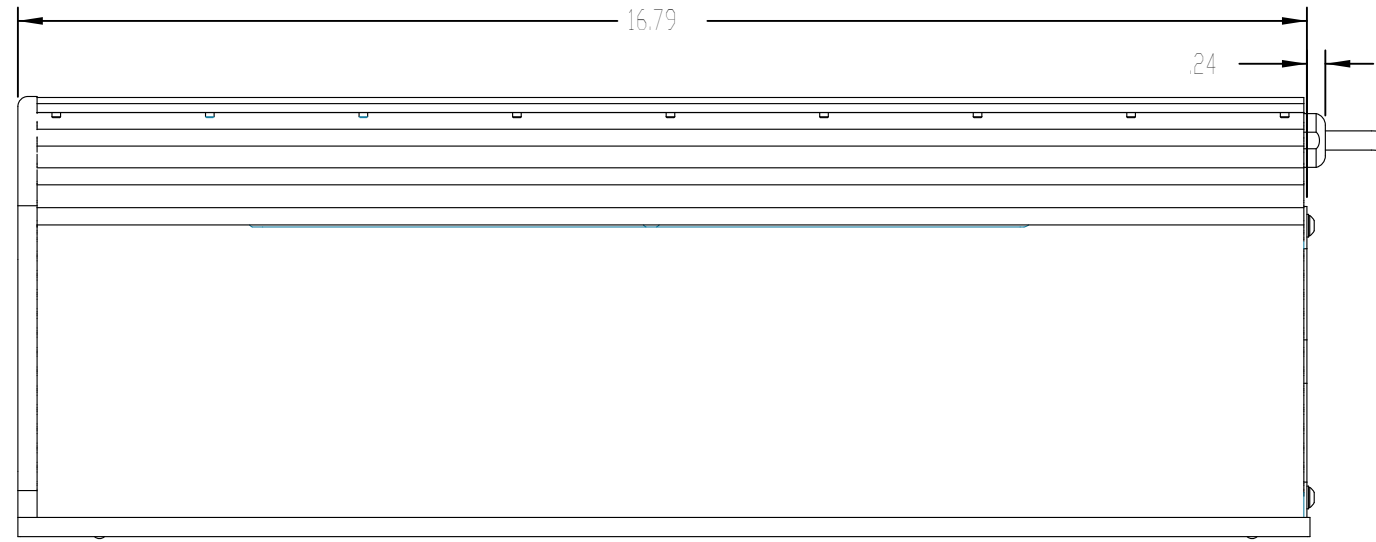
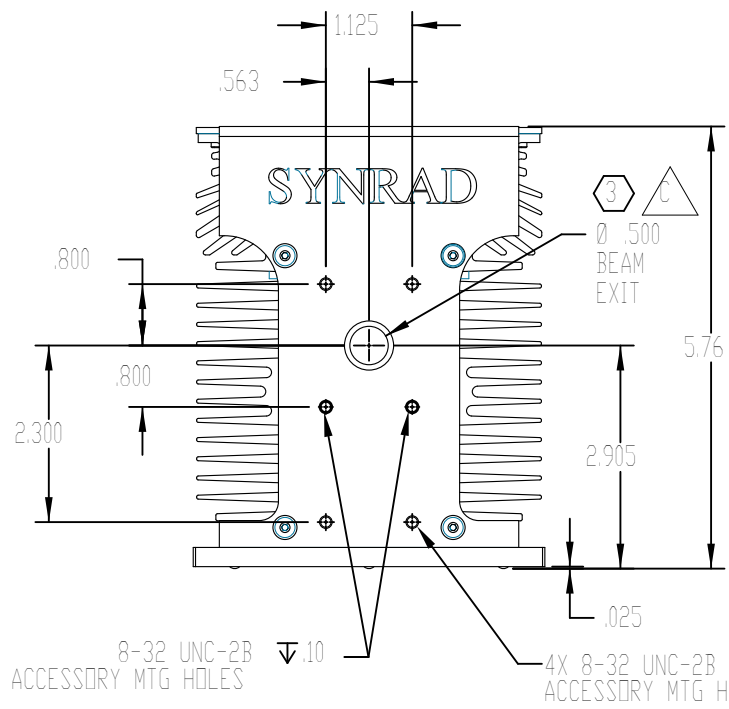


REV	ECO	DATE	DESCRIPTION	DB
B	3912	8-Aug-08	ADD BEAM EXIT Ø, CONVERT TO SOLIDWORKS	DMD
C	4107	9-Sep-09	ADD NOTE 3	DMD



NOTES:

- ① HARDENED BALL MOUNTING POINT, 3X (Ø.1875 BALL BEARING).
- ② THIS MOUNTING HOLE PATTERN USED FOR BOTTOM ACCESS FASTENING.
- ③ BEAM PATH MAY NOT BE CENTERED OR PERPENDICULAR TO FACEPLATE APERTURE.

TOLERANCES UNLESS NOTED:	
.x = ± 0.1	ANGLE = ± 2.0 °
.xx = ± 0.01	
.xxx = ± 0.005	
MATERIAL:	
FINISH:	

PROPRIETARY THIS DRAWING IS PROPRIETARY TO SYNRAD INC. AND SHALL NOT BE USED OR DISCLOSED IN WHOLE OR IN PART WITHOUT WRITTEN PERMISSION OF SYNRAD INC.	
DESCRIPTION: OUTLINE & MOUNTING, AIR-COOLED V30, OEM	
PART NUMBER: 300-18965-01	DWG/FILE NUMBER: 300-18965-01
SHEET 1 of 1	ENG: .
UNITS: Inches	CATEGORY: .
SIZE: B	FINISH CLASS: .

	SYNRAD INC. 4600 Campus Place Mukilteo, WA 98275 Phone: (425)349-3500 Fax: (425)349-3667		
	DRAWN BY: T. AULT CHECKED BY: APPROVED BY:	DATE: 05-Jun-03 DATE: DATE:	