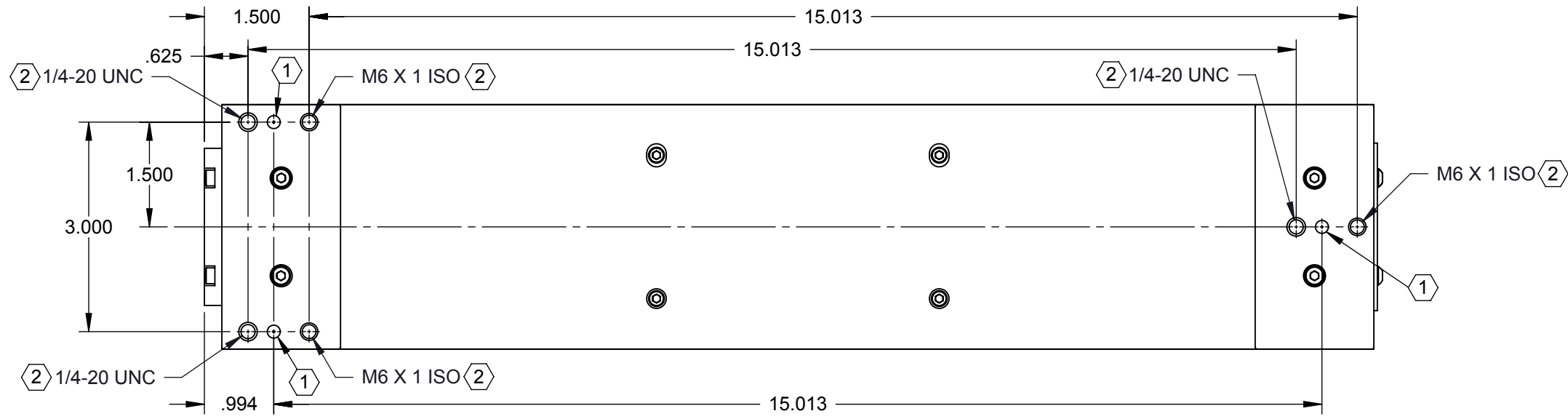
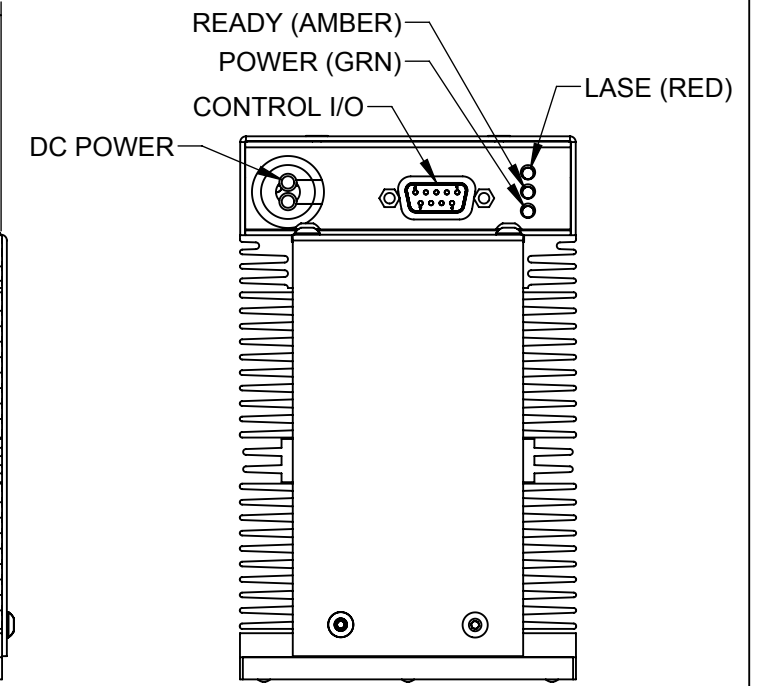
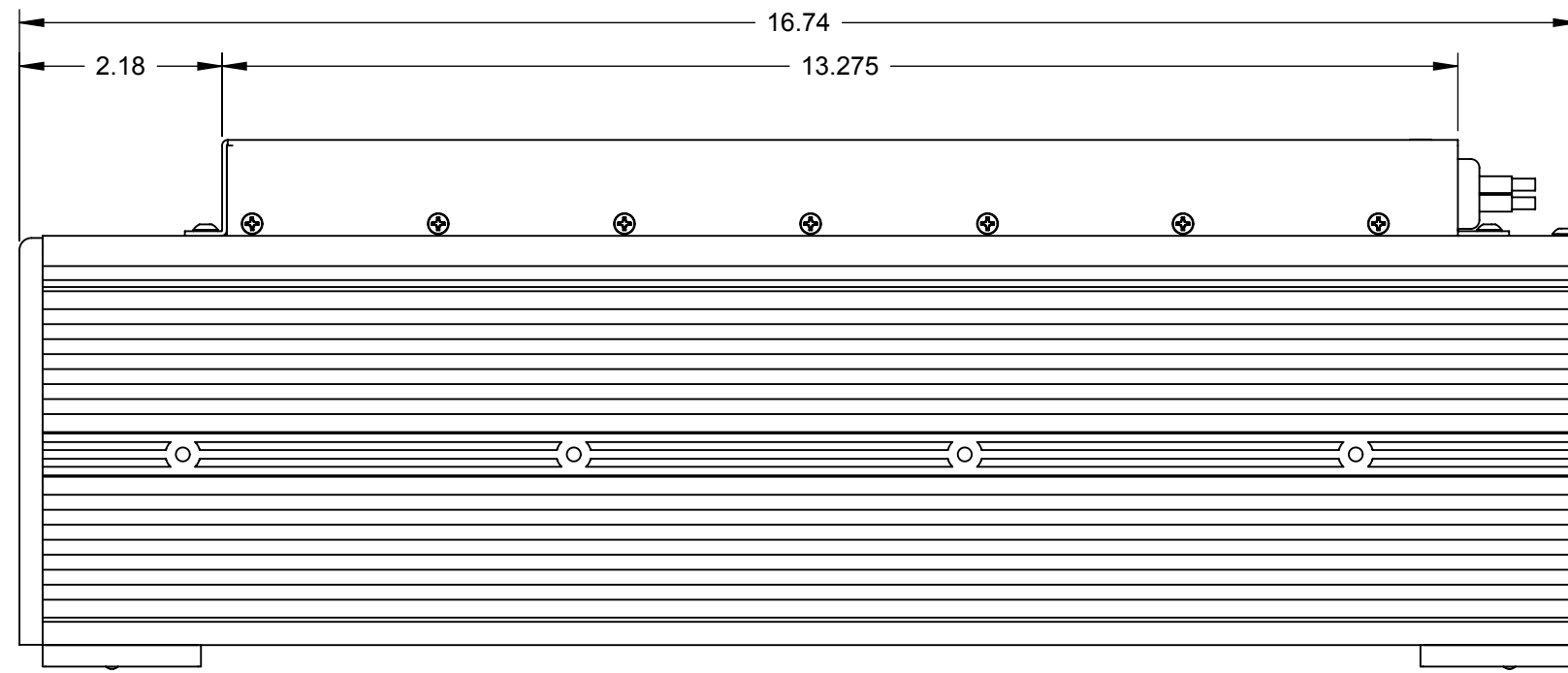
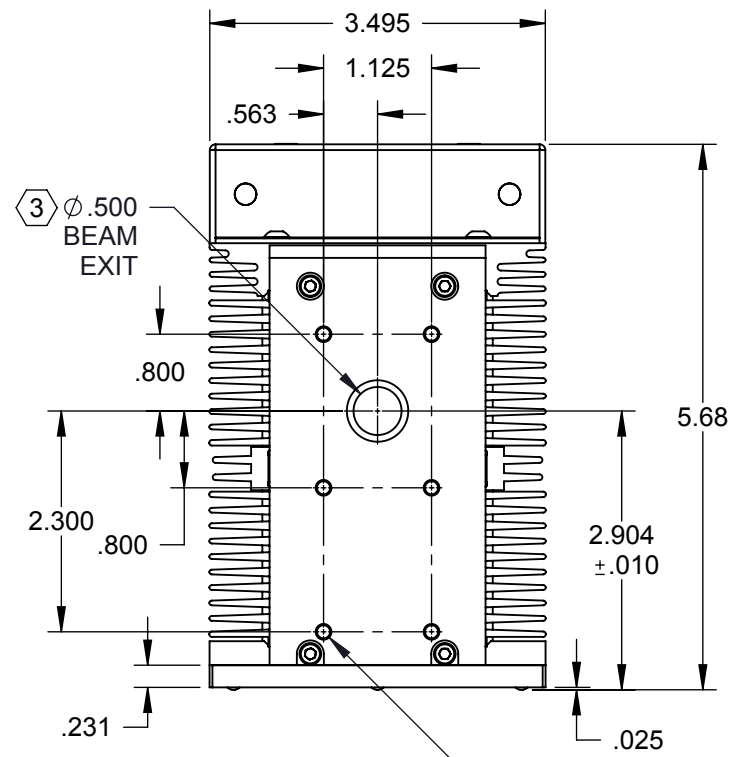


REV	ECO	DATE	DESCRIPTION	DB
A	4325	26-Apr-11	RELEASE TO PRODUCTION	DMD
.
.



NOTES:

- (1) HARDENED BALL MOUNTING POINT, 3X (ϕ .1875 BALL BEARING).
- (2) THIS MOUNTING HOLE PATTERN USED FOR BOTTOM ACCESS FASTENING.
- (3) BEAM PATH MAY NOT BE CENTERED OR PERPENDICULAR TO FACE PLATE APERTURE.

TOLERANCES UNLESS NOTED:	
.x = \pm .1	ANGLE = \pm .5 $^{\circ}$
.xx = \pm .01	
.xxx = \pm .005	
MATERIAL:	
FINISH:	

PROPRIETARY
THIS DRAWING IS PROPRIETARY TO SYNRAD INC. AND SHALL NOT BE USED OR DISCLOSED IN WHOLE OR IN PART WITHOUT WRITTEN PERMISSION OF SYNRAD INC.



SYNRAD INC.
4600 Campus Place
Mukilteo, WA 98275
Phone: (425)349-3500
Fax: (425)349-3667

DESCRIPTION: OUTLINE & MOUNTING, Vi30, AIR-COOLED, OEM, TALL			
PART NUMBER:	300-20111-02	DWG/FILE NUMBER:	300-20111-02
SHEET 1 of 1	ENG: .	DRAWN BY: D. DUVAL	DATE: 5-Oct-10
UNITS: Inches	CATEGORY: .	CHECKED BY:	DATE:
SIZE: B	FINISH CLASS: .	APPROVED BY:	DATE: