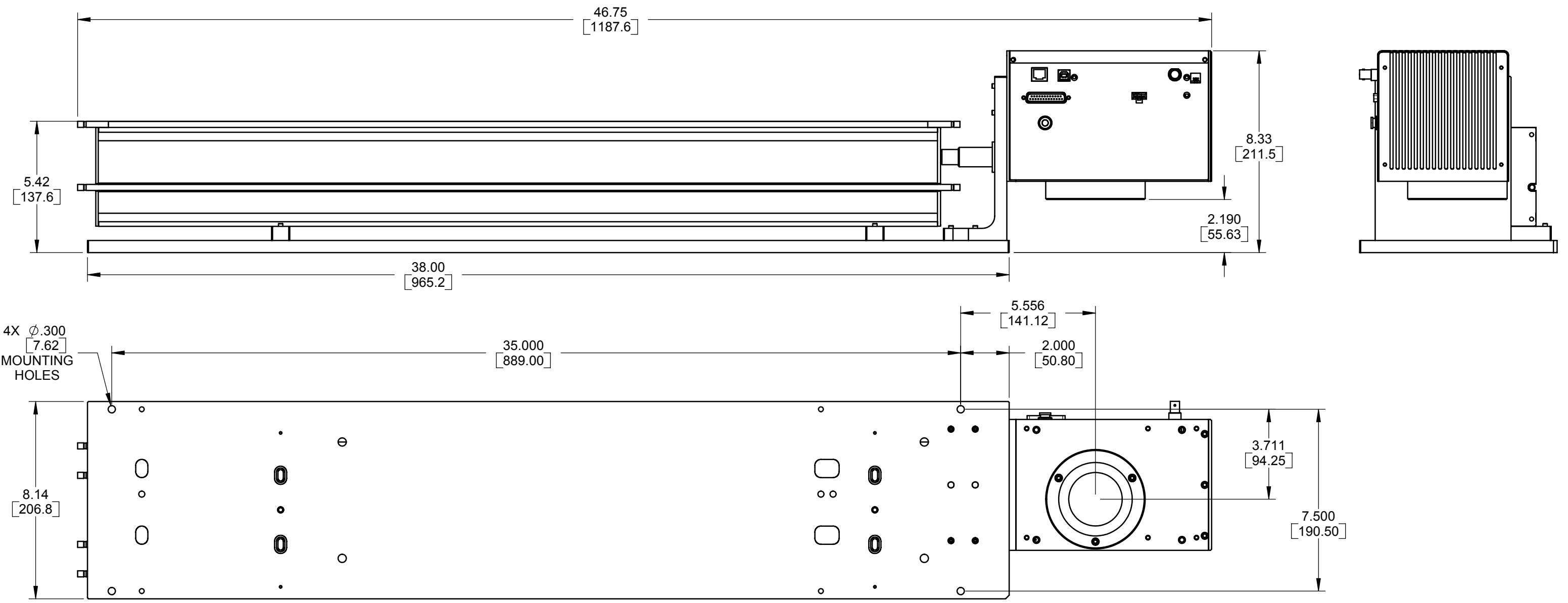



REV	ECO	DATE	DESCRIPTION	DB
A	3575	30-Aug-07	RELEASED TO PRODUCTION	RLS



NOTE:
DIMENSIONS IN BRACKETS [] ARE MILLIMETERS.

TOLERANCES UNLESS NOTED:		PROPRIETARY THIS DRAWING IS PROPRIETARY TO SYNRAD INC. AND SHALL NOT BE USED OR DISCLOSED IN WHOLE OR IN PART WITHOUT WRITTEN PERMISSION OF SYNRAD INC.		 SYNRAD INC. 4600 Campus Place Mukilteo, WA 98275 Phone: (425)349-3500 Fax: (425)349-3667	
.x = ± 0.1	ANGLE = ± 0.5 °				
.xx = ± 0.01					
.xxx = ± 0.005		DESCRIPTION: OUTLINE & MOUNTING - FLYER, 48-5			
MATERIAL:		PART NUMBER: 300-19676-50	DWG/FILE NUMBER: 300-19676-50		
FINISH:		SHEET 1 of 1	ENG: RLS	DRAWN BY: K. JOHNSON	DATE: 04-Jun-07
		UNITS: Inches	CATEGORY:	CHECKED BY:	DATE:
		SIZE: B	FINISH CLASS: A	APPROVED BY:	DATE: