

# FH Flyer Scan Head

Complete 2-axis scan head solution for fast, easy integration



Pair with any Synrad CO<sub>2</sub> laser from 10 to 150 W for an effective CO<sub>2</sub> laser marking, engraving and cutting solution.

- Customized to suit application needs, including options for Synrad laser model and scan head field size or focused spot size.
- Simplified set-up with pre-aligned mounting kit for 10 W to 150 W lasers.
- Intuitive job design and control with included WinMark Pro software package.
- All digital technology enables easy setup and on-the-fly changes. Built-in Ethernet and I/O interfaces allow the scan head to be controlled via computer (tethered) or operate independently (standalone).
- Static or dynamic tracking modes allow FH Flyer to be easily integrated into a custom processing station or onto full production lines.



## Specifications

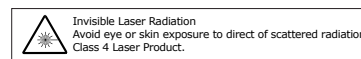
Focusing Lens Options					
F-Theta Lens Options	80 mm	125 mm	125 HP <sup>1</sup>	200 mm	370 mm
Field Size (mm)	33.5 x 41.2	85.7 x 105.6	80.4 x 99	134 x 165	241 x 297
Spot Size 1/e <sup>2</sup> (µm)	116	180	180	290	540
Working Distance <sup>2</sup> , typical (mm)	74 ± 1	128 ± 2	125 ± 2	190 ± 3	350 ± 5
Depth of Field typical (mm)	± 0.4	± 1.5	± 1.5	± 2.5	± 10
Scan Speed, mm/s (inches/s)	4953 (195)	7620 (300)			
Operation					
Operating Temperature Range	0 to 40° C				
Electrical Input	30 VDC, 4A, 8A Peak				
Heat Load, generated by the head	90 W nominal, 120 W max				
Continuous Beam Input Power, Max	125 mm lens: 40 W; All others: 200 W				
Physical					
Dimensions LxWxH mm (inches)	214.63 x 137.2 x 136.9 (8.45 x 5.40 x 5.39)				
Weight kg (lbs.)	4.4 (9.6)				
Gas Purge (optional)	Clean and dry air or nitrogen; 2 - 5 PSI				
Four-Position L-Bracket (optional)	Allows standard head position (lens down), or +90°, -90° and 180° rotations				
Communication					
Tethered: PC control and mark file creation	WinMark, ActiveX				
Standalone: allows API, PLC, PC or I/O control	ActiveX, Modbus I/P, Master Control File				
I/O	8 inputs/8 outputs Built-in user accessible 15 V power source				

## WinMark Pro Software

WinMark Pro is custom software designed by Synrad to operate our scan heads. Files can be created in the software itself, or imported from your favorite design software. Each object within the design can be assigned unique parameters to optimize application performance and allow many processes (marking, cutting, engraving, and others) to be performed in a single job file. WinMark can also be used to prepare the scan head for static or dynamic on-the-fly operation.

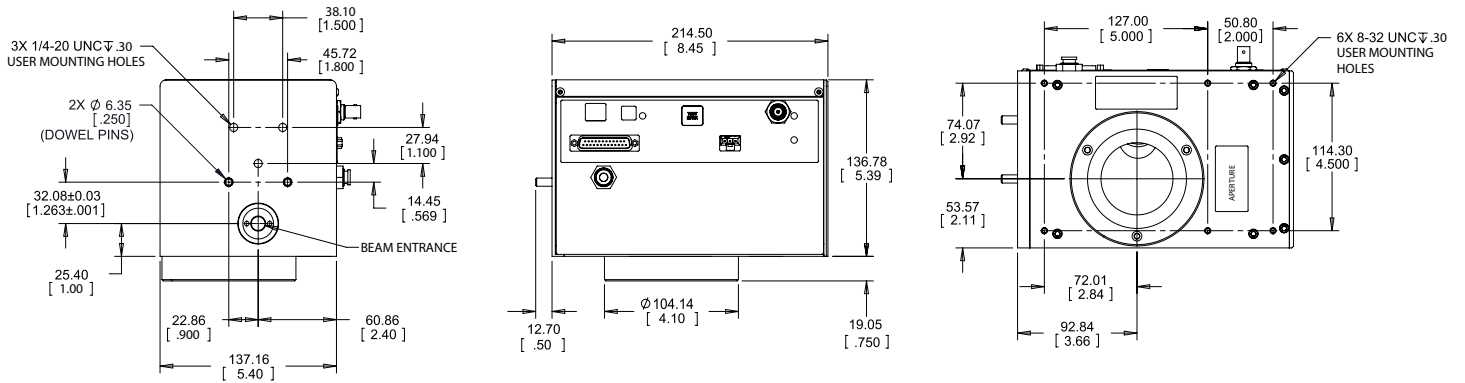
1. 125 HP lens for use with lasers 40 watts or higher.

2. The typical focal length (working distance) is marked on each lens mount, since the actual working distance may vary from lens to lens. For this reason, it is important to provide z-axis adjustment between the FH Flyer scan head and the material surface. Consult your scan head final test report for the exact measured working distance.

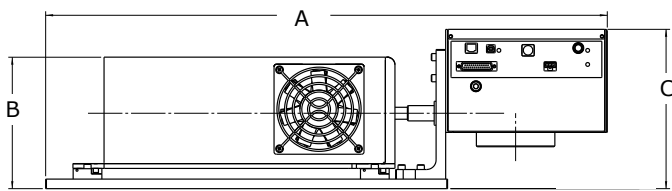


# FH Flyer Scan Head

Technical Illustrations dimension are in mm (inches)



## Outline & Mounting Scan head, Synrad CO<sub>2</sub> laser (10 - 150 W) and alignment fixture



Laser Model	Synrad Laser				
	48-1 (10 W)	v30 (30 W)	ti Series (60/80/100 W)	p100 (100 W)	p150 (150 W)
A Dimension mm (inches)	740 (29.4)	745 (29.35)	974 (38.35)	977 (38.47)	1091.3 (42.97)
B Dimension mm (inches)	135.3 (5.33)	173 (6.80)	177 (6.94)	181.6 (7.15)	181.6 (7.15)
C Dimension mm (inches)	211.5 (8.33)	211.5 (8.33)	211.5 (8.33)	273.1 (10.75)	273.1 (10.75)

## Recommended Applications



### Marking

Enable fast, easy tracking and identification by applying permanent marks, text, and codes to a wide variety of materials.



### Coding

Easily applies permanent alpha numeric codes, barcodes, text, and expiration dates to a variety of packaging materials that will not smear or rub off.



### Engraving

Enhance tactile experience or enable quick identification of organic materials by adding distinctive texture, contours, marks, or text.

## Contact Us

synrad.com

### Americas & Asia Pacific

Synrad  
4600 Campus Place  
Mukilteo, WA 98275  
P (425) 349.3500  
F (425) 349.3667  
synrad@synrad.com

### Europe, Middle East, Africa

Novanta Europe GmbH  
Division Synrad Europe  
Parkring 57-59  
D-85748, Garching, Germany  
P +49 (0)89 31707 0  
F +49 (0)89 31707 222  
sales-europe@synrad.com

### China

Synrad China Sales and Service Center  
Unit C, 5/F, Ting Wei Industrial Park  
Liufang Road, Baoan District, Shenzhen  
Guangdong, PRC 518133  
P +86 (755) 8280 5395  
sales-china@synrad.com

### Japan

Novanta Japan Co., Ltd.  
4666 Ikebe-cho Tsuzuki-ku  
Yokohama Kanagawa 224-0053 Japan  
P +81 3 5753 2462  
F +81 3 5753 2467  
sales-japan@synrad.com