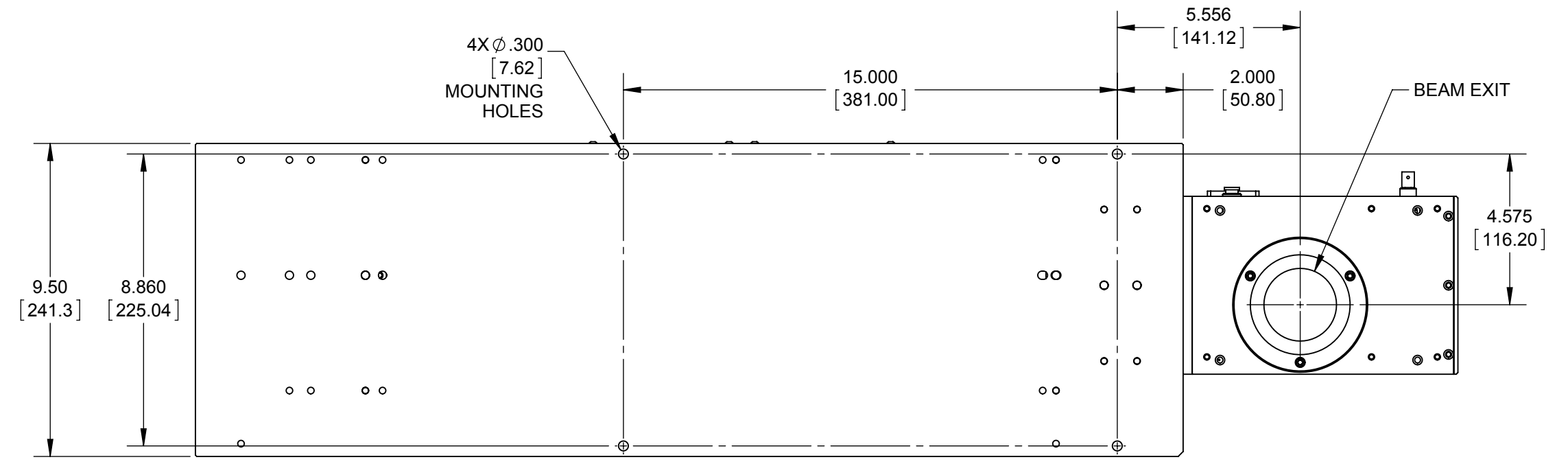
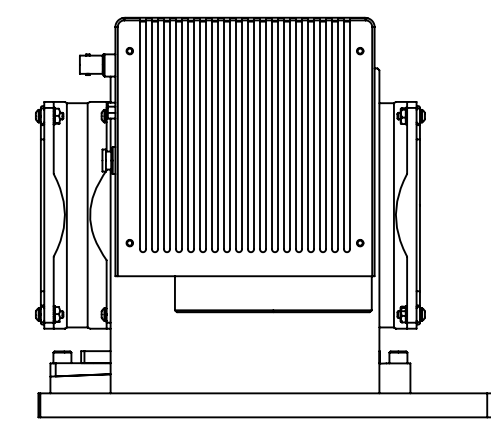
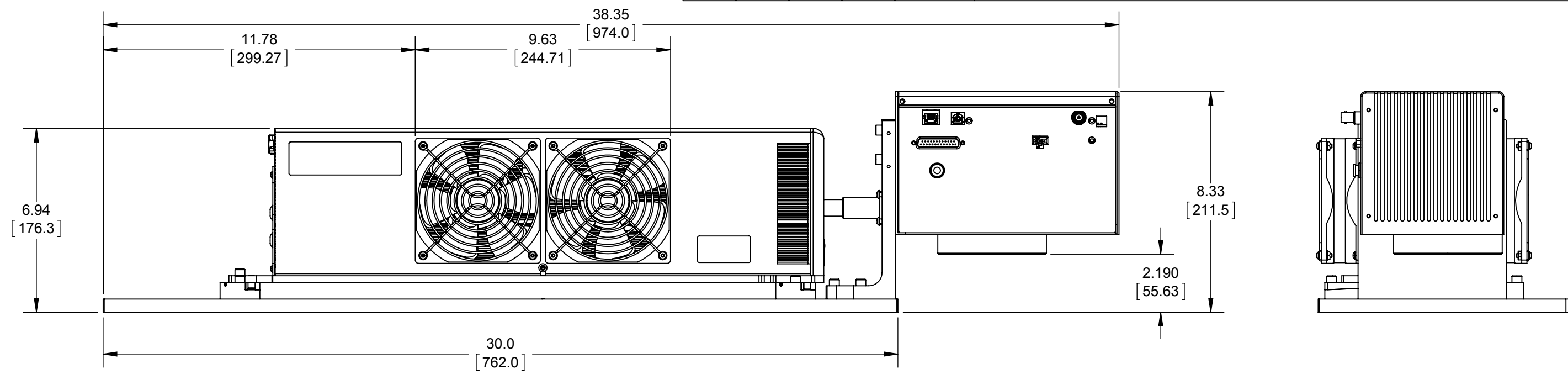

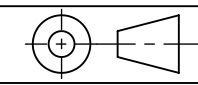


REV	DA	ECN	ECO	DATE	DESCRIPTION	DB
R1	.	.	.	9-Jan-17	INITIAL DESIGN	DMD
.
.



- NOTES:
- DIMENSIONS SHOWN APPLY TO THE T-SERIES & Ti-SERIES LASERS, BOTH AIR AND WATER COOLED. Ti100 FAN VERSION SHOWN.
 - DIMENSIONS IN BRACKETS [] ARE MILLIMETERS.

TOLERANCES UNLESS NOTED:		PROPRIETARY: THIS DRAWING IS PROPRIETARY TO SYNRAD AND SHALL NOT BE USED OR DISCLOSED IN WHOLE OR IN PART WITHOUT WRITTEN PERMISSION OF SYNRAD		 SYNRAD 4600 Campus Place Mukilteo, WA 98275 Phone: (425)349-3500 Fax: (425)349-3667 Synrad, a Novanta Company.
.X = ± .	ANGLE = ± .°	THIRD ANGLE PROJECTION		
.XX = ± .				
.XXX = ± .				
MATERIAL:		DESCRIPTION: OUTLINE & MOUNTING, FLYER, Ti100 FAN		
FINISH:		DRAWN BY: D. DUVAL	DATE: 9-Jan-17	DWG/FILE NUMBER: 300-19676-60 Ti100 FAN
		QTY CHK BY:	DATE:	PART NUMBER: 300-19676-60 Ti100 FAN
		ENG CHK BY:	DATE:	ENG: . SIZE: B CATEGORY: .
		APPROVED BY:	DATE:	UNITS: Inches SHEET 1 of 1 FINISH CLASS: .
				REV. R1