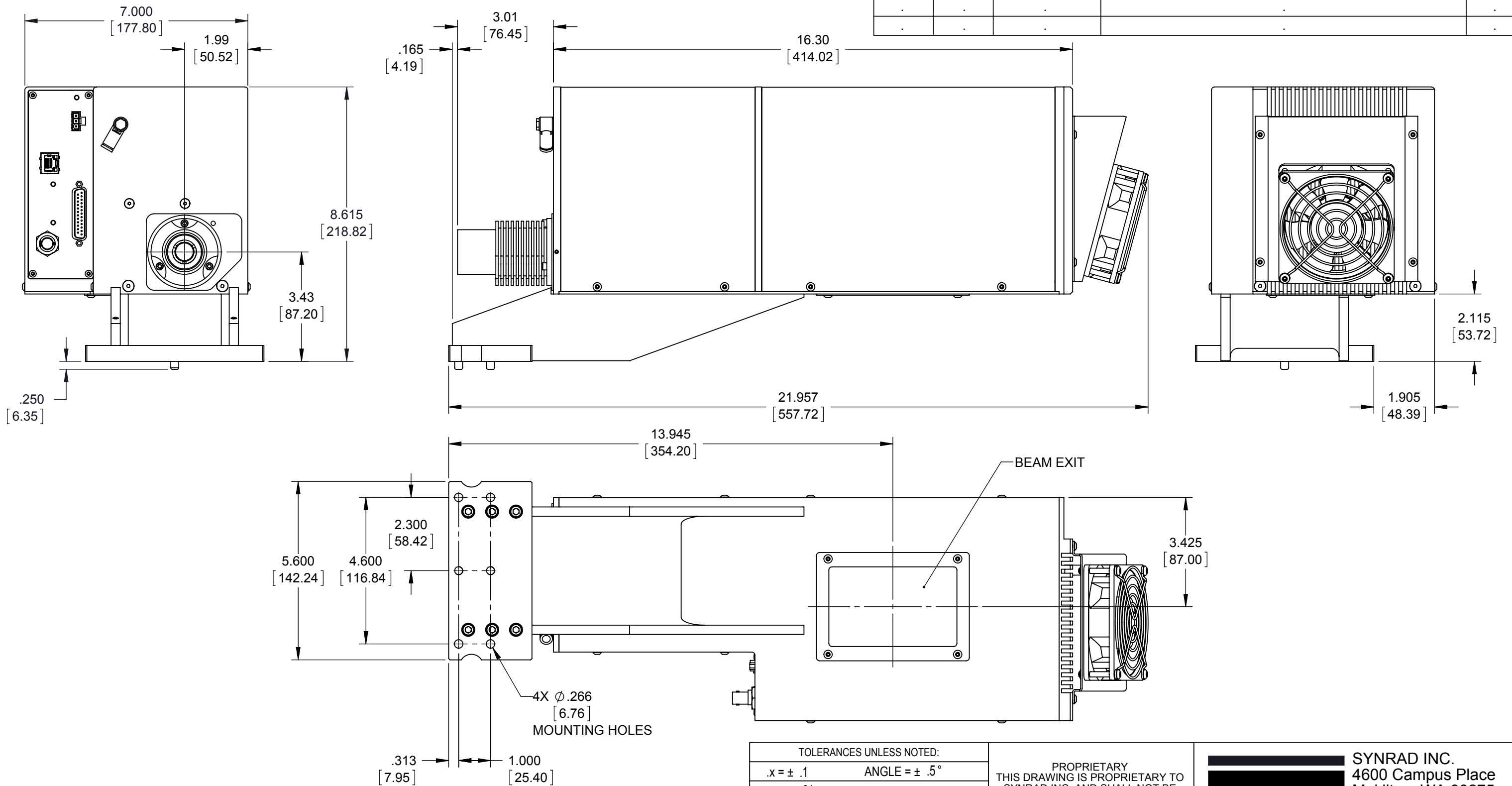


REV	ECO	DATE	DESCRIPTION	DB
R1	.	27-Feb-14	INITIAL DESIGN	DMD
.	.	.	.	.
.	.	.	.	.



NOTES:

1. MANUFACTURE IN ACCORDANCE WITH SYNRAD DOCUMENT "WORKMANSHIP STANDARD".

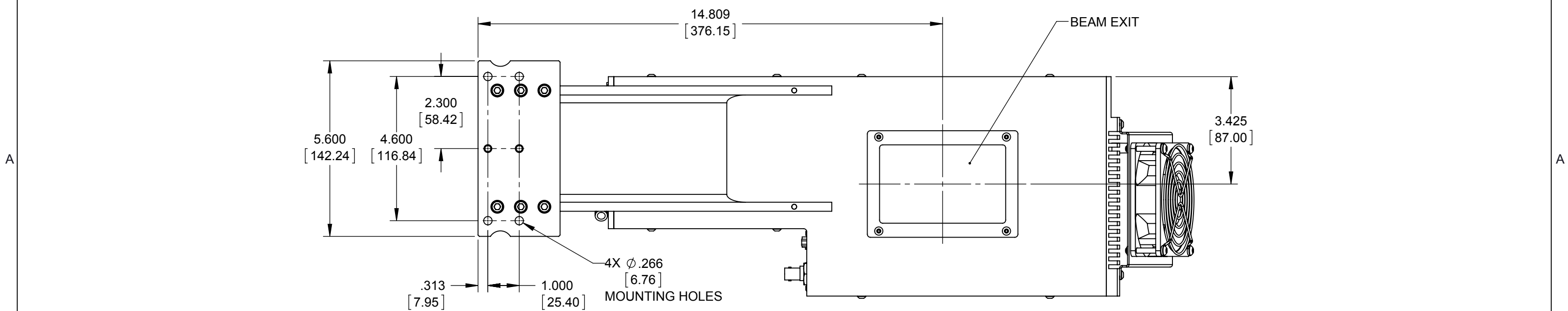
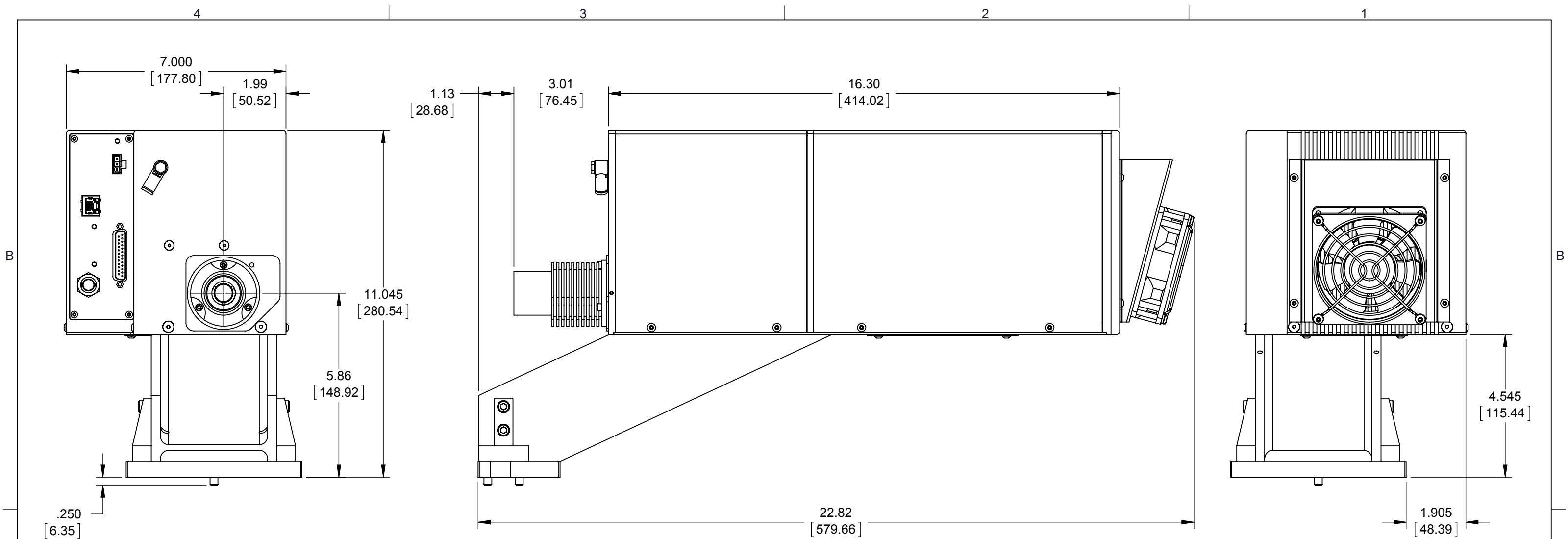
TOLERANCES UNLESS NOTED:	
.x = ± .1	ANGLE = ± .5°
.xx = ± .01	
.xxx = ± .005	
MATERIAL:	
.	
FINISH:	
.	
.	
.	

PROPRIETARY  
THIS DRAWING IS PROPRIETARY TO  
SYNRAD INC. AND SHALL NOT BE  
USED OR DISCLOSED IN WHOLE  
OR IN PART WITHOUT WRITTEN  
PERMISSION OF SYNRAD INC.



SYNRAD INC.  
4600 Campus Place  
Mukilteo, WA 98275  
Phone: (425)349-3500  
Fax: (425)349-3667

DESCRIPTION: <b>OUTLINE &amp; MOUNTING, FLYER 3D</b>			
PART NUMBER: 300-20657-01		DWG/FILE NUMBER: 300-20657-00	
SHEET 1 of 2	ENG: RS	DRAWN BY: D. DUVAL	DATE: 27-Feb-14
UNITS: Inches	CATEGORY: .	CHECKED BY:	DATE:
SIZE: B	FINISH CLASS: .	APPROVED BY:	DATE:
			REV: R1



PROPRIETARY THIS DRAWING IS PROPRIETARY TO SYNRAD INC. AND SHALL NOT BE USED OR DISCLOSED IN WHOLE OR IN PART WITHOUT WRITTEN PERMISSION OF SYNRAD INC.		DESCRIPTION: <b>OUTLINE &amp; MOUNTING, FLYER 3D, P100/P150</b>			
PART NUMBER: 300-20657-02	REV. R1	DWG/FILE NUMBER: 300-20657-00	SIZE: B	SHEET 2 of 2	