

# ti100 CO<sub>2</sub> Laser

Compact laser with more than 100 Watts of average power for high-speed marking, cutting and 3D printing applications



Industrial CO<sub>2</sub> laser engineered for high performance and power at 9.3 μm, 10.2 μm, and 10.6 μm wavelengths

- Improve marking, engraving, cutting, and SLS printing throughput with over 100 W average power regardless of wavelength
- Ensure efficient energy delivery and better throughput with fast rise/fall times
- Utilize space efficiently with the compact footprint consistent across all the ti series lasers
- Choose the most effective and economical cooling option for your system: available in fan or water-cooled models
- Patented taper technology enables a hybrid unstable and waveguide resonator to maximize optical efficiency and power output at all CO<sub>2</sub> wavelengths
- Optimize you application: available in multiple CO<sub>2</sub> wavelengths, pulsed, CW, and in a high stability package



## Maximize Design Flexibility

The consistent beam exit height across all lasers in the ti Series enable easy upgrading of laser power for laser processing equipment. OEMs can now offer their customers more upgrade options without extensive reengineering costs.

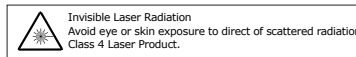
## Specifications

Output Specifications			
Wavelength	9.3 μm	10.2 μm	10.6 μm
Output Power <sup>1</sup>	>100 W		
Power Stability (cold start) <sup>2</sup>	±7%		
Power Stability (typical, after 3 min.)	±6%		
Beam Quality (M <sup>2</sup> )	<1.2		
Beam Diameter <sup>3</sup>	2.0 mm ± 0.3 mm		
Divergence (full angle)	<7.0 mrad		
Ellipticity	<1.2		
Polarization	Linear (Vertical)		
Rise Time	<75 μs		
Operating Frequency	0 - 160 kHz		
Power Supply			
DC Input Voltage	48 VDC		
Maximum Current	35.0 A		
Cooling			
Maximum Heat Load	1700 W		
Coolant Temperature	Guaranteed with fan shroud (air) <40° C (air), 18-22° C (water)		
Minimum Flow Rate	1.0 GPM, <60 PSI (water)		
Environmental			
Operating Ambient Temperature	15 - 40° C		
Maximum Humidity	95%, non-condensing		
Physical		Water	Fan
Dimensions (L) mm (inches)		584 (23)	571 (22.5)
Dimensions (W) mm (inches)		143 (5.6)	196 (7.7)
Dimensions (H) mm (inches)		150 (5.9)	150 (5.9)
Weight kg (lbs.)		11.9 (26)	14.6 (32.1)

1 - Power level guaranteed for 2 years from date of shipment, regardless of operating hours, within recommended coolant flow rate and temperature range.

2 - Measured from cold start as  $\pm(P_{max}-P_{min})/(P_{max}+P_{min})$

3 - Measured 1/e<sup>2</sup> diameter at laser output.



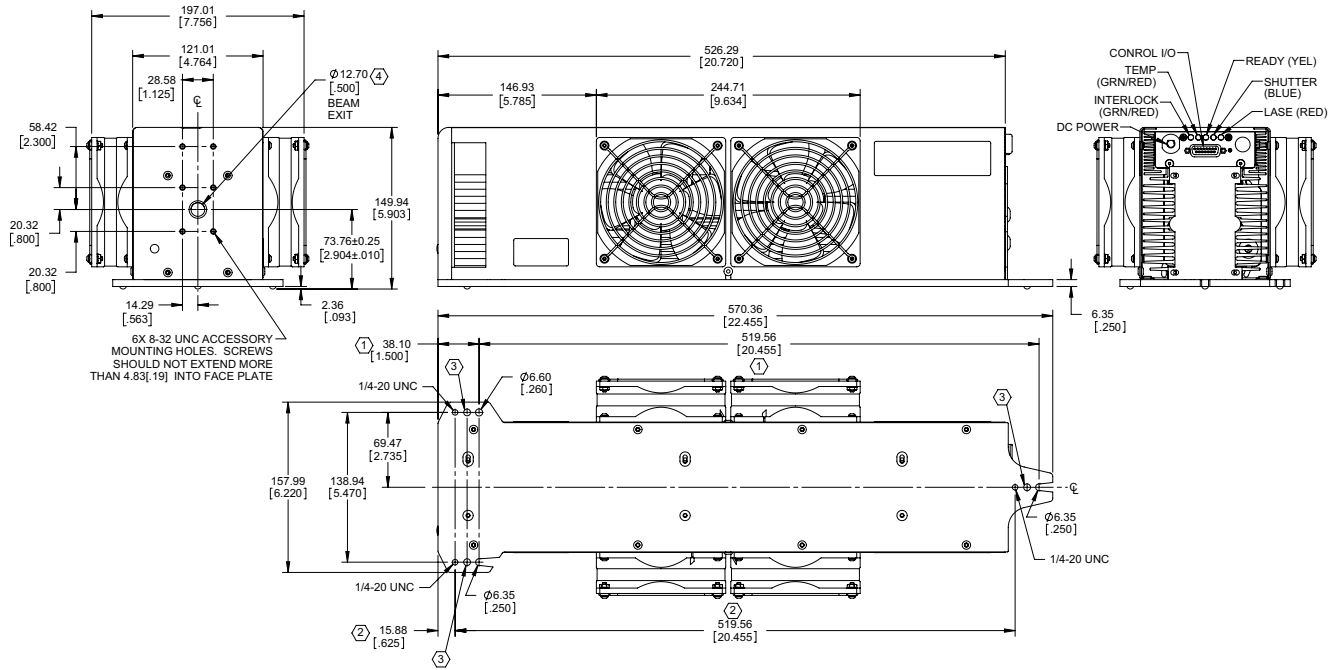
# SYNRAD

A Novanta Company

# ti100 CO<sub>2</sub> Laser

Technical Illustrations dimension are in mm (inches)

Outline and mounting drawing for the water-cooled model is available on the Synrad website at: <https://www.synrad.com/products/lasers/ti-series>.



NOTES:

- ① THIS HOLE PATTERN USED WHEN TOP ACCESS FASTENING DESIRED.
- ② THIS HOLE PATTERN USED WHEN BOTTOM ACCESS FASTENING DESIRED.
- ③ HARDENED BALL MOUNTING POINT ( $\Phi 0.250$  STEEL BALL).
- ④ BEAM PATH MAY NOT BE CENTERED OR PERPENDICULAR TO FACEPLATE APERTURE.

## Recommended Applications



### General Cutting

100 W of power and fast rise/fall times ensure clean, crisp cutting. Multiple wavelength options enable cutting across a wide range of materials.



### High Speed Coding

Perfectly suited for high speed production lines where permanent marks and codes are required to ensure product quality and traceability.



### 3D Printing

Highly recommended for 3D SLS printing, patented taper technology maximizes optical efficiency and power output.

## Contact Us

[synrad.com](http://synrad.com)

### Americas & Asia Pacific

Synrad  
4600 Campus Place  
Mukilteo, WA 98275  
P (425) 349.3500  
F (425) 349.3667  
[synrad@synrad.com](mailto:synrad@synrad.com)

### Europe, Middle East, Africa

Novanta Europe GmbH  
Division Synrad Europe  
Parkring 57-59  
D-85748, Garching, Germany  
P +49 (0)89 31707 0  
F +49 (0)89 31707 222  
[sales-europe@synrad.com](mailto:sales-europe@synrad.com)

### China

Synrad China Sales and Service Center  
Unit C, 5/F, Ting Wei Industrial Park  
Liufang Road, Baoan District, Shenzhen  
Guangdong, PRC 518133  
P +86 (755) 8280 5395  
[sales-china@synrad.com](mailto:sales-china@synrad.com)

### Japan

Novanta Japan Co., Ltd.  
4666 Ikebe-cho Tsuzuki-ku  
Yokohama Kanagawa 224-0053 Japan  
P +81 3 5753 2462  
F +81 3 5753 2467  
[sales-japan@synrad.com](mailto:sales-japan@synrad.com)

# SYNRAD

A Novanta Company